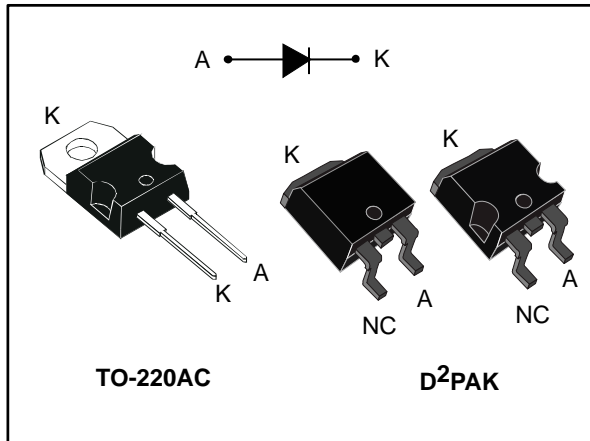


## High frequency secondary rectifier

Datasheet - production data



### Features

- Combines highest recovery and reverse voltage performance
- Ultra-fast, soft and noise-free recovery
- ECOPACK®2 compliant component for D²PAK on demand

### Description

Single fast recovery epitaxial diode suited for switch mode power supply and high frequency DC/DC converters. Packaged in TO-220AC or D²PAK this device is especially intended for secondary rectification.

Table 1: Device summary

Symbol	Value
$I_{F(AV)}$	8 A
$V_{RRM}$	300 V
$T_j$ (max)	175 °C
$V_F$ (typ)	0.85 V
$t_{rr}$ (max)	25 ns

# 1 Characteristics

**Table 2: Absolute ratings (limiting values at 25 °C, unless otherwise specified)**

Symbol	Parameter		Value	Unit
V <sub>RRM</sub>	Repetitive peak reverse voltage		300	V
I <sub>F(RMS)</sub>	Forward rms current		20	A
I <sub>F(AV)</sub>	Average forward current $\delta = 0.5$ , square wave	T <sub>C</sub> = 150 °C	8	A
I <sub>FSM</sub>	Surge non repetitive forward current	t <sub>p</sub> = 10 ms sinusoidal	100	A
T <sub>stg</sub>	Storage temperature range		-65 to + 175	°C
T <sub>j</sub>	Maximum operating junction temperature		+ 175	°C

**Table 3: Thermal parameter**

Symbol	Parameter	Value	Unit
R <sub>th(j-c)</sub>	Junction to case	2.5	°C/W

**Table 4: Static electrical characteristics**

Symbol	Parameter	Test conditions		Min.	Typ.	Max.	Unit
I <sub>R</sub> <sup>(1)</sup>	Reverse leakage current	T <sub>j</sub> = 25 °C	V <sub>R</sub> = 300 V	-		20	μA
		T <sub>j</sub> = 125 °C		-	20	200	
V <sub>F</sub> <sup>(2)</sup>	Forward voltage drop	T <sub>j</sub> = 25 °C	I <sub>F</sub> = 8 A	-		1.25	V
		T <sub>j</sub> = 125 °C		-	0.85	1	

**Notes:**

<sup>(1)</sup>Pulse test: t<sub>p</sub> = 5 ms,  $\delta < 2\%$

<sup>(2)</sup>Pulse test: t<sub>p</sub> = 380 μs,  $\delta < 2\%$

To evaluate the conduction losses use the following equation:

$$P = 0.75 \times I_{F(AV)} + 0.031 I_{F(RMS)}^2$$

**Table 5: Dynamic electrical characteristics**

Symbol	Parameter	Test conditions		Min.	Typ.	Max.	Unit
t <sub>rr</sub>	Reverse recovery time	T <sub>j</sub> = 25 °C	I <sub>F</sub> = 0.5 A, I <sub>rr</sub> = 0.25 A, I <sub>R</sub> = 1 A	-		25	ns
			I <sub>F</sub> = 1 A, dI <sub>F</sub> /dt = -50 A/μs, V <sub>R</sub> = 30 V	-		35	
t <sub>fr</sub>	Forward recovery time	T <sub>j</sub> = 25 °C	I <sub>F</sub> = 8 A, dI <sub>F</sub> /dt = -100 A/μs, V <sub>FR</sub> = 1.1 × V <sub>Fmax</sub>	-		200	ns
V <sub>FP</sub>	Forward recovery voltage	T <sub>j</sub> = 25 °C		-		3.5	V
S <sub>factor</sub>	Softness factor	T <sub>j</sub> = 125 °C	I <sub>F</sub> = 8 A, V <sub>CC</sub> = 200 V	-	0.3		
I <sub>RM</sub>	Reverse recovery current	T <sub>j</sub> = 125 °C		dI <sub>F</sub> /dt = 200 A/μs	-		8

# 1.1 Characteristics (curves)

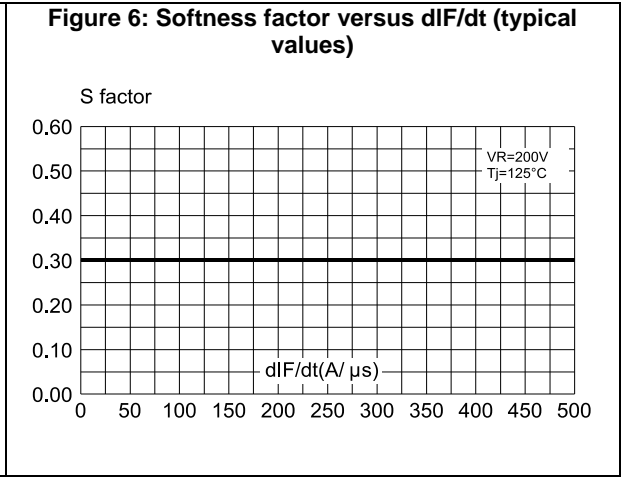
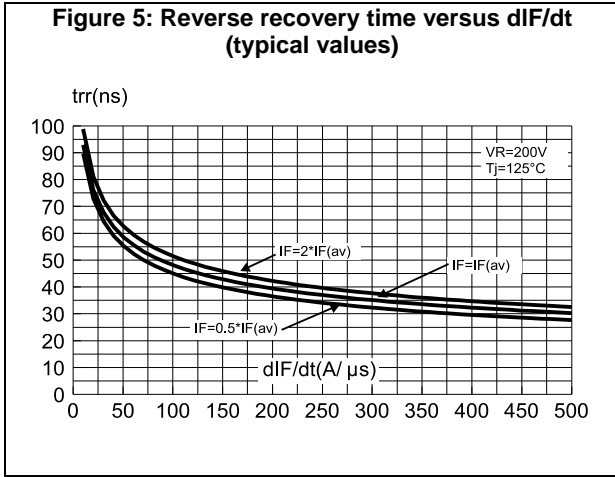
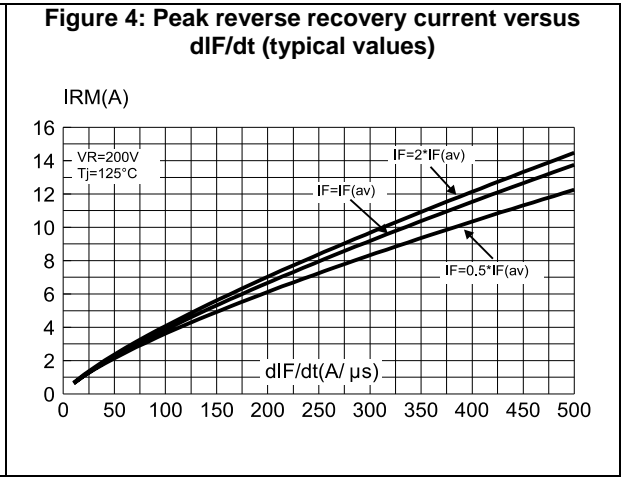
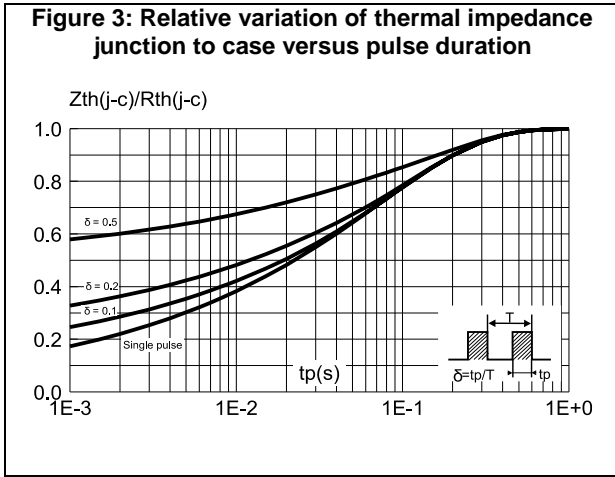
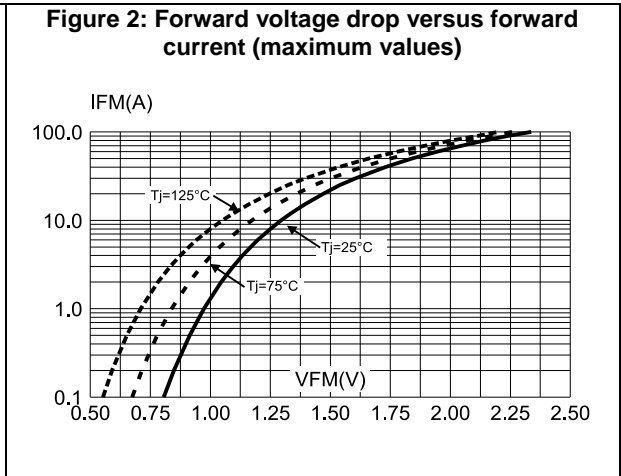
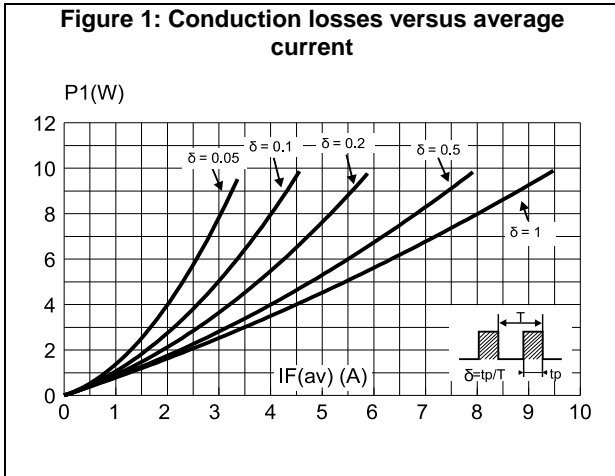


Figure 7: Relative variation of dynamic parameters versus junction temperature (reference:  $T_j = 125\text{ }^\circ\text{C}$ )

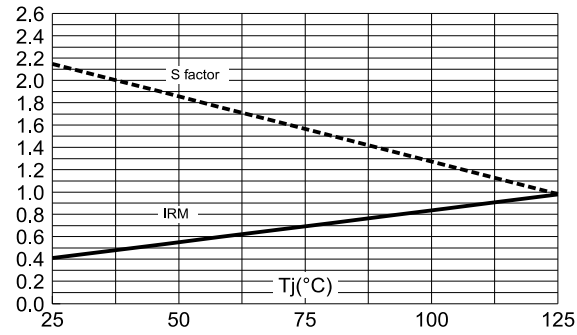


Figure 8: Transient peak forward voltage versus  $dI_F/dt$  (typical values)

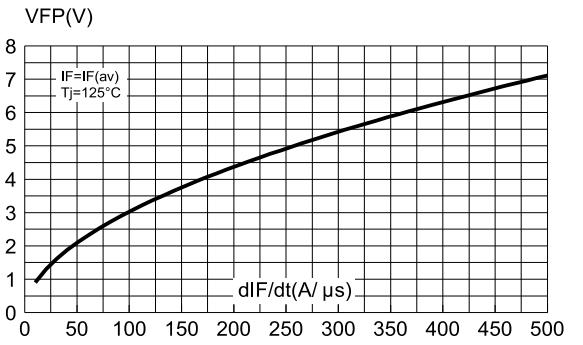
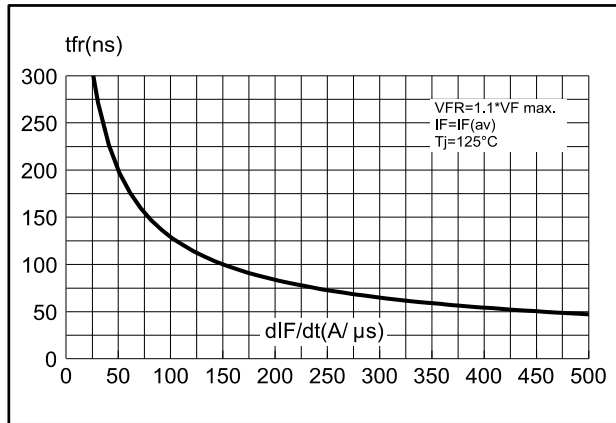


Figure 9: Forward recovery time versus  $dI_F/dt$  (typical values)



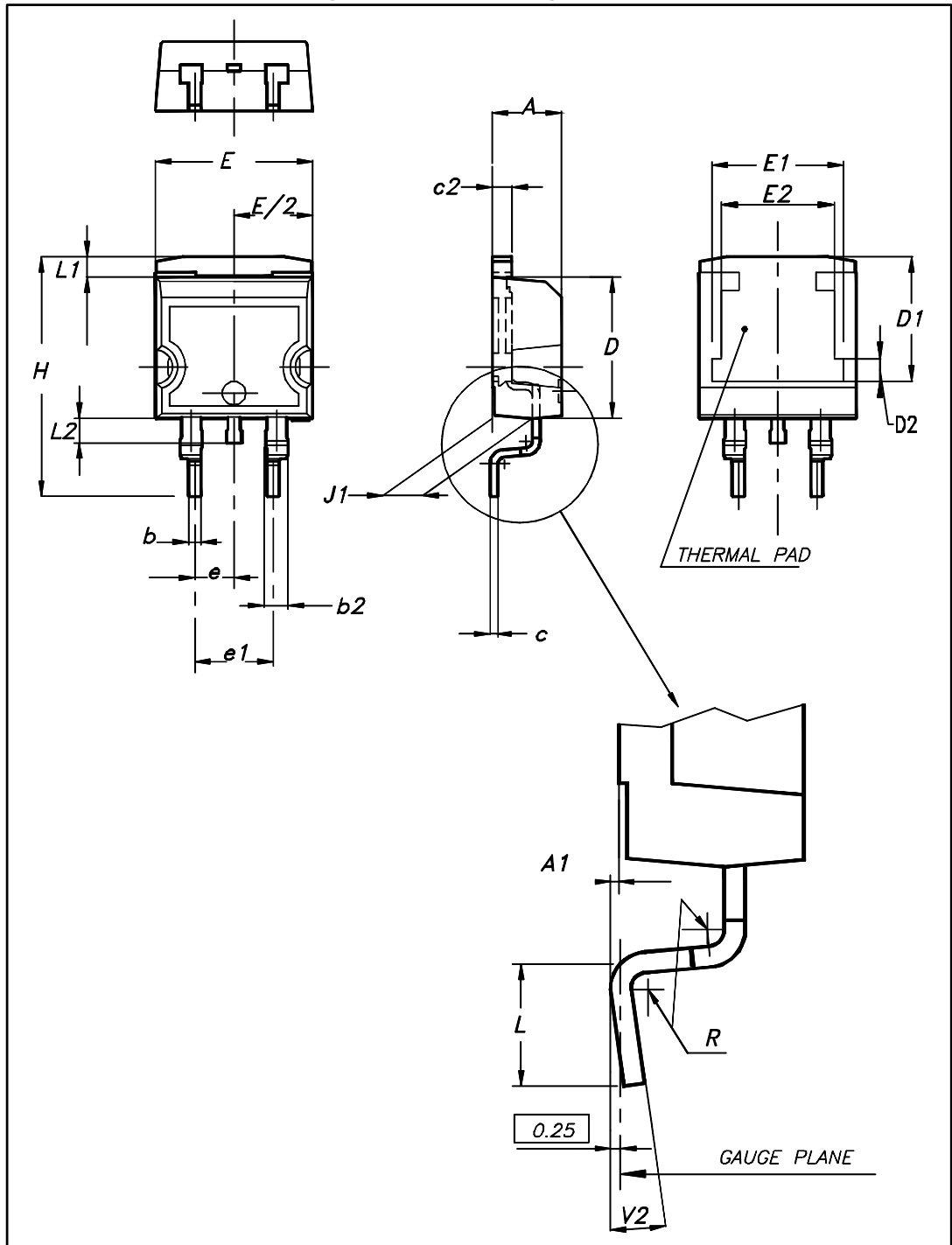
## 2 Package information

In order to meet environmental requirements, ST offers these devices in different grades of ECOPACK® packages, depending on their level of environmental compliance. ECOPACK® specifications, grade definitions and product status are available at: [www.st.com](http://www.st.com). ECOPACK® is an ST trademark.

- Cooling method: by conduction (C)
- Recommended torque value (TO-220AC): 0.55 N.m.
- Maximum torque value (TO-220AC): 0.70 N.m.
- Epoxy meets UL 94,V0

### 2.1 D<sup>2</sup>PAK package information

Figure 10: D<sup>2</sup>PAK package outline

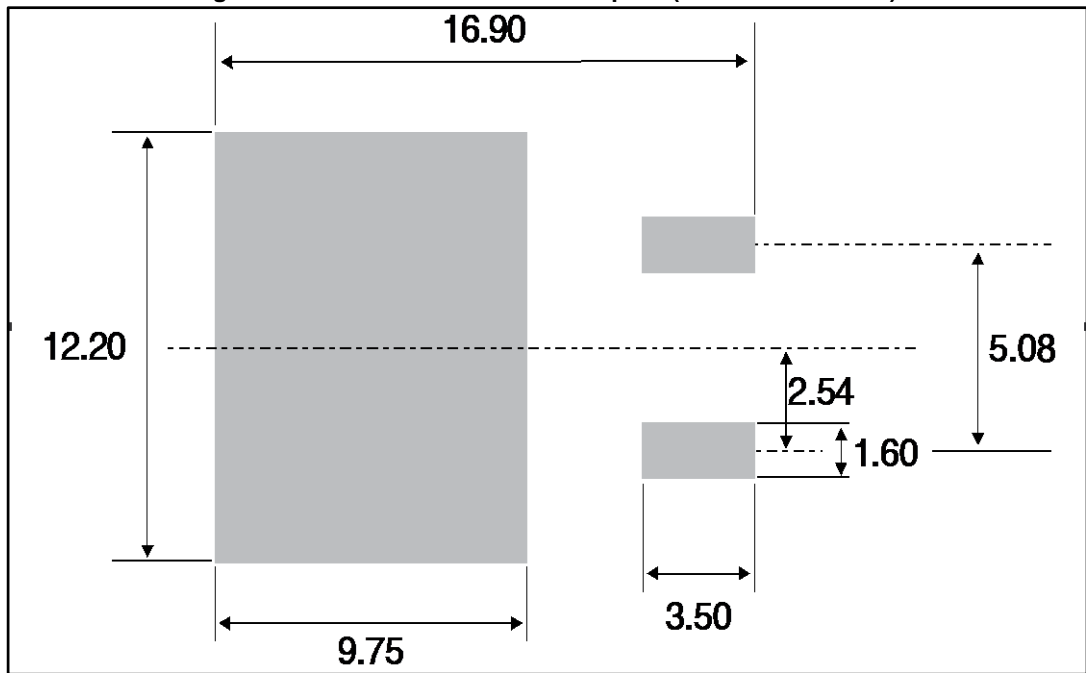


This package drawing may slightly differ from the physical package. However, all the specified dimensions are guaranteed.

Table 6: D<sup>2</sup>PAK package mechanical data

Ref.	Dimensions			
	Millimeters		Inches	
	Min.	Max.	Min.	Max.
A	4.36	4.60	0.172	0.181
A1	0.00	0.25	0.000	0.010
b	0.70	0.93	0.028	0.037
b2	1.14	1.70	0.045	0.067
c	0.38	0.69	0.015	0.027
c2	1.19	1.36	0.047	0.053
D	8.60	9.35	0.339	0.368
D1	6.90	8.00	0.272	0.311
D2	1.10	1.50	0.043	0.060
E	10.00	10.55	0.394	0.415
E1	8.10	8.90	0.319	0.346
E2	6.85	7.25	0.266	0.282
e	2.54 typ.		0.100	
e1	4.88	5.28	0.190	0.205
H	15.00	15.85	0.591	0.624
J1	2.49	2.90	0.097	0.112
L	1.90	2.79	0.075	0.110
L1	1.27	1.65	0.049	0.065
L2	1.30	1.78	0.050	0.070
R	0.4 typ.		0.015	
V2	0°	8°	-	-

Figure 11: D<sup>2</sup>PAK recommended footprint (dimensions in mm)





## 2.2 TO-220AC package information

Figure 12: TO-220AC package outline

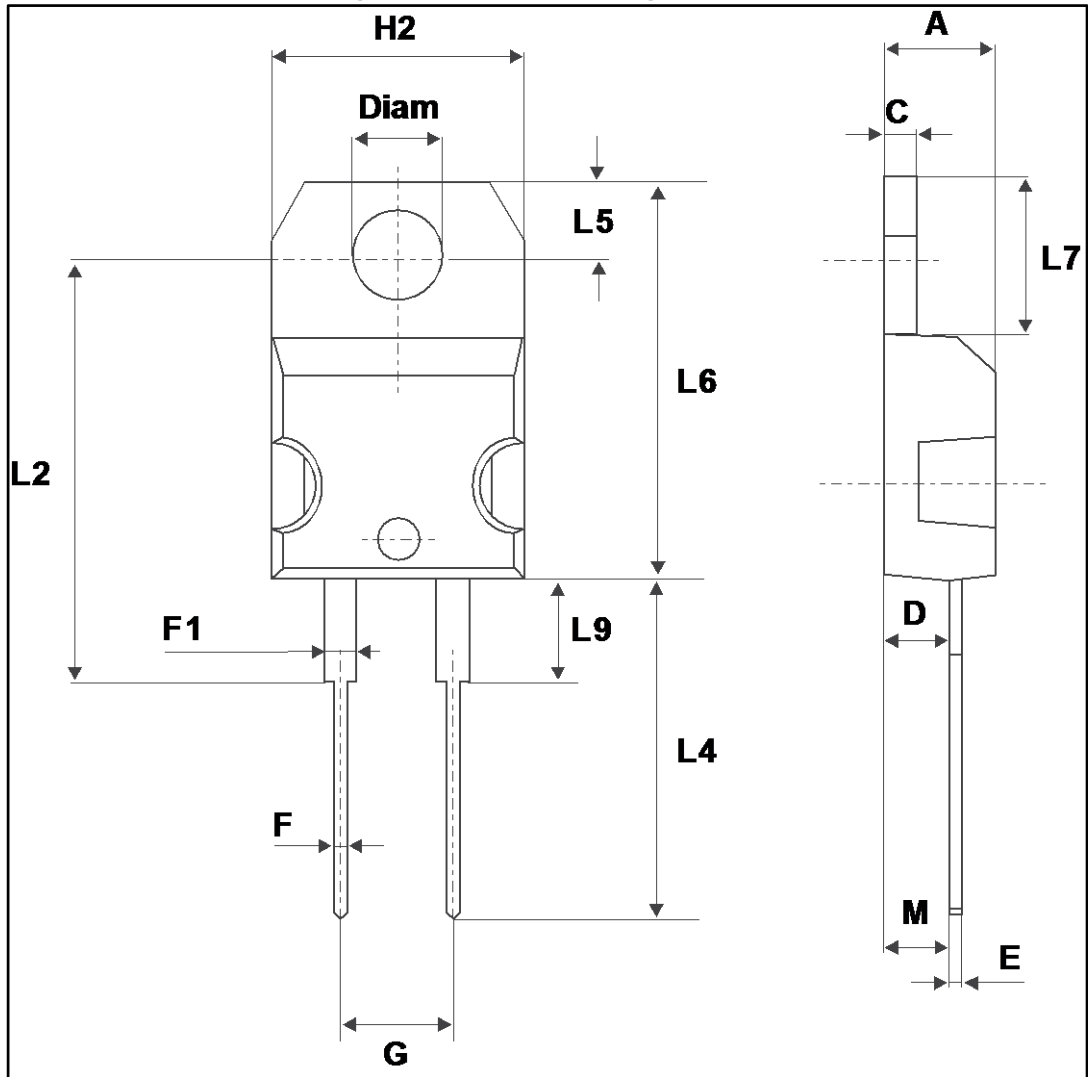


Table 7: TO-220AC package mechanical data

Ref.	Dimensions			
	Millimeters		Inches	
	Min.	Max.	Min.	Max.
A	4.40	4.60	0.173	0.181
C	1.23	1.32	0.048	0.051
D	2.40	2.72	0.094	0.107
E	0.49	0.70	0.019	0.027
F	0.61	0.88	0.024	0.034
F1	1.14	1.70	0.044	0.066
G	4.95	5.15	0.194	0.202
H2	10.00	10.40	0.393	0.409
L2	16.40 typ.		0.645 typ.	
L4	13.00	14.00	0.511	0.551
L5	2.65	2.95	0.104	0.116
L6	15.25	15.75	0.600	0.620
L7	6.20	6.60	0.244	0.259
L9	3.50	3.93	0.137	0.154
M	2.6 typ.		0.102 typ.	
Diam	3.75	3.85	0.147	0.151

### 3 Ordering information

Table 8: Ordering information

Order code	Marking	Package	Weight	Base qty	Delivery mode
STTH803D	STTH803D	TO-220AC	1.86g	50	Tube
STTH803G-TR	STTH803G	D <sup>2</sup> PAK	1.38g	1000	Tape and reel

## 4 Revision history

Table 9: Document revision history

Date	Revision	Changes
26-Jun-2012	9	
22-Apr-2015	10	Updated features, <a href="#">Table 1: "Device summary"</a> in cover page. Minor text changes in <a href="#">Section 1: "Characteristics"</a> . Updated <a href="#">Section 2: "Package information"</a> .

**IMPORTANT NOTICE – PLEASE READ CAREFULLY**

STMicroelectronics NV and its subsidiaries ("ST") reserve the right to make changes, corrections, enhancements, modifications, and improvements to ST products and/or to this document at any time without notice. Purchasers should obtain the latest relevant information on ST products before placing orders. ST products are sold pursuant to ST's terms and conditions of sale in place at the time of order acknowledgement.

Purchasers are solely responsible for the choice, selection, and use of ST products and ST assumes no liability for application assistance or the design of Purchasers' products.

No license, express or implied, to any intellectual property right is granted by ST herein.

Resale of ST products with provisions different from the information set forth herein shall void any warranty granted by ST for such product.

ST and the ST logo are trademarks of ST. All other product or service names are the property of their respective owners.

Information in this document supersedes and replaces information previously supplied in any prior versions of this document.

© 2015 STMicroelectronics – All rights reserved